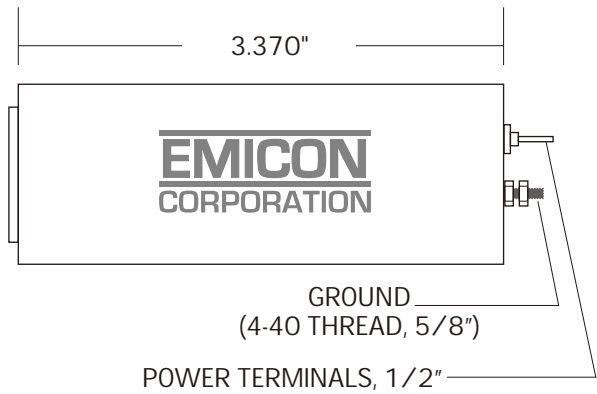
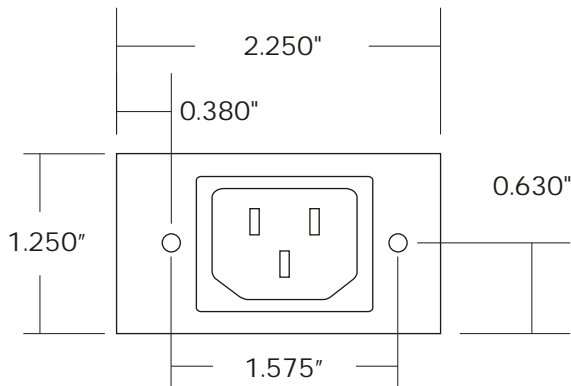


PLF-170, 171, 172, 173

POWER ENTRY MODULE

REV	DATE
A	6-15-06



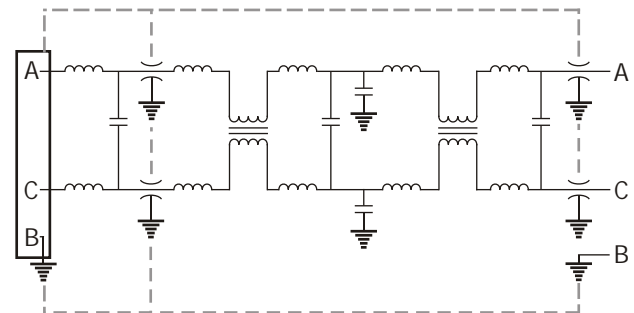
OUTLINE DRAWING

EMICON P/N:

PLF-170	5 Amps
PLF-171	10 Amps
PLF-172	15 Amps
PLF-173	20 Amps

Line Voltage:	110/220 V _{AC}
Line Frequency:	50/60 Hz
Leakage Current:	5 mA @ 110 V _{AC} 10 mA @ 220 V _{AC}

ATTENUATION COMMON MODE				
FREQ.	50 KHz	100 KHz	200 KHz	50 KHz to 1 GHz
PLF-170	55 dB	70 dB	78 dB	78 dB
PLF-171	45 dB	65 dB	78 dB	78 dB
PLF-172	35dB	56 dB	76 dB	76 dB
PLF-173	35dB	55 dB	75 dB	75 dB



SPECIFICATIONS

FUNCTIONAL DIAGRAM