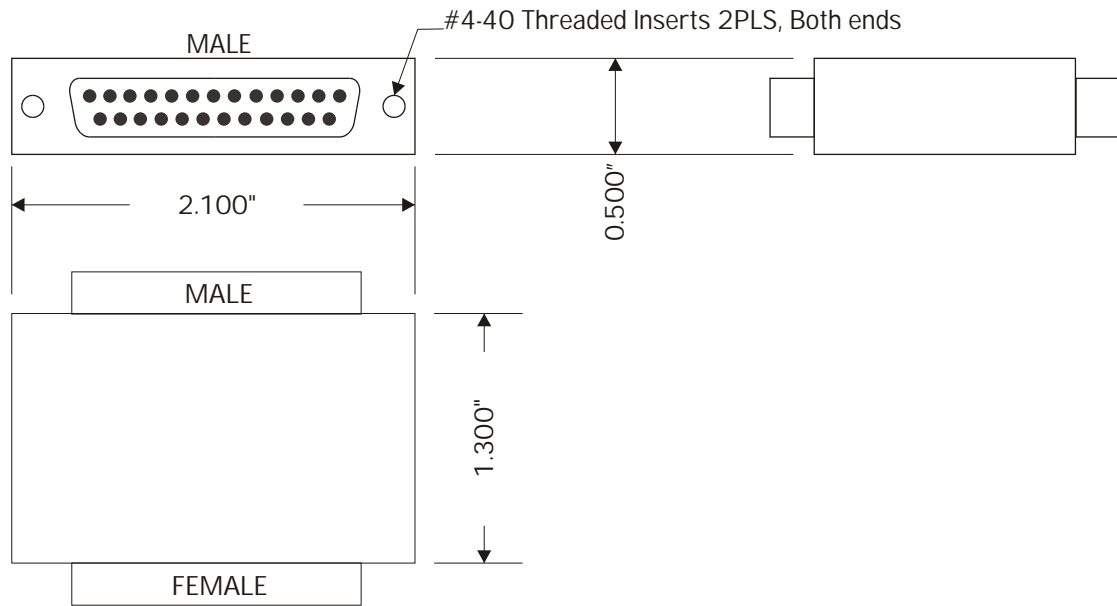


REV	DATE



OUTLINE DRAWING

HIGH SPEED LINES

RISE TIME: 1.2 μ s (10 - 90%)
 OVERSHOOT: 12% Typ.
 UNDERSHOOT: 5% Typ.
 SOURCE, LOAD IMPEDANCES: TTL

DATA LINES

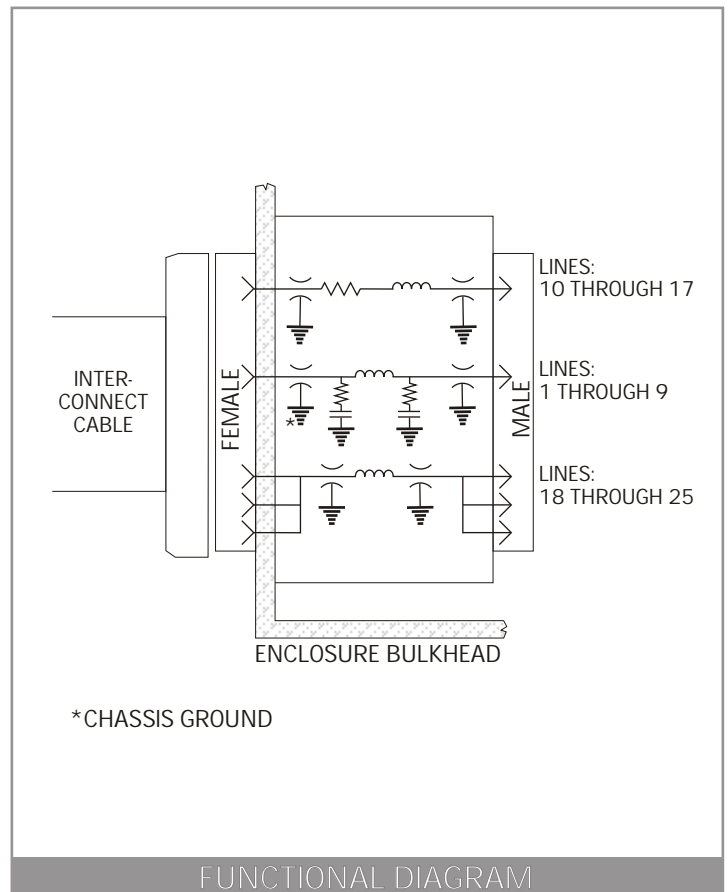
RISE/FALL TIME: 1.2 μ s Typ. (10 - 90%)
 OVERSHOOT: 8% Typ.
 UNDERSHOOT: 4% Typ.
 SOURCE IMPEDANCE: 10 TO 300 , 50 Typ.
 LOAD IMPEDANCE: 1 K TO OPEN, 2.2 K Typ.
 INSERTION LOSS:

COMMON LINES

CAPACITIVE FILTER 0.2 dB IN BAND

ATTENUATION			
Frequency	High Speed	Data Lines	GND Lines
100 KHz	< 2 dB	< 2 dB	< 4 dB
500 KHz	< 3 dB	< 3 dB	40 dB
1 MHz	40 dB	40 dB	48 dB
5 MHz	60 dB	60 dB	55 dB
10 MHz	73 dB	73 dB	63 dB
50 MHz	70 dB	70 dB	70 dB
100 MHz	70 dB	70 dB	70 dB
1 GHz	70 dB	70 dB	70 dB

SPECIFICATIONS



FUNCTIONAL DIAGRAM