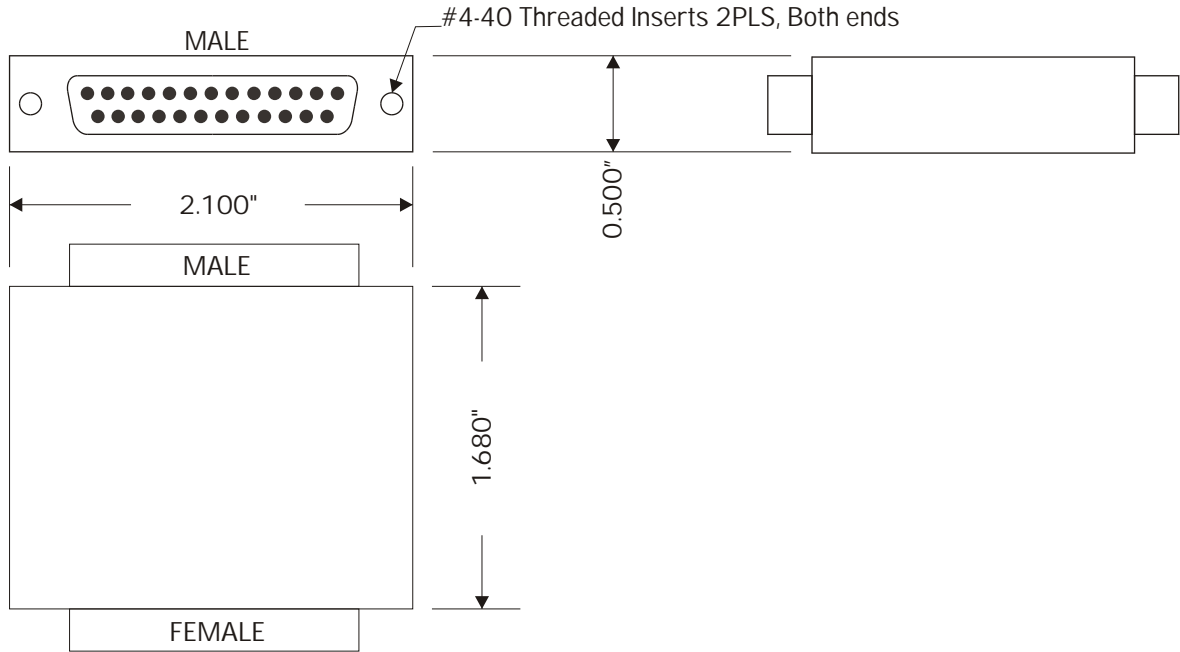


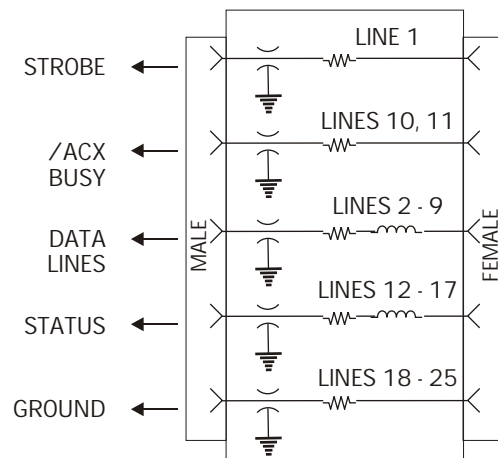
REV	DATE



OUTLINE DRAWING

	STROBE	/ACX BUSY	DATA LINES	STATUS	GROUND
RISE TIME	215 ns	135 ns	490 ns	170 ns	
SOURCE IMP.	50	50	50	50	50
LOAD IMP.	3.9 K	3.9 K	3.9 K	3.9 K	50
MINIMUM 1 dB BW	680 KHz	1.2 MHz	(8 dB RIPPLE)	800 KHz	
INSERTION LOSS	0.1 MAX	0.1 MAX	0.1 MAX	0.1 MAX	0.1 MAX
ATTEN. @ 10 dB	5.6 MHz	10 MHz	1 MHz	5 MHz	20 MHz
20 dB	19 MHz	31 MHz	1.6 MHz	30 MHz	65 MHz
30 dB	65 MHz	110 MHz	2.6 MHz	110 MHz	240 MHz
40 dB	190 MHz	275 MHz	4.3 MHz	275 MHz	450 MHz - 1 GHz
45 dB	330 MHz - 1 GHz	450 MHz - 1 GHz		450 MHz - 1 GHz	
50 dB			8 MHz - 1 GHz		

SPECIFICATIONS



FUNCTIONAL DIAGRAM