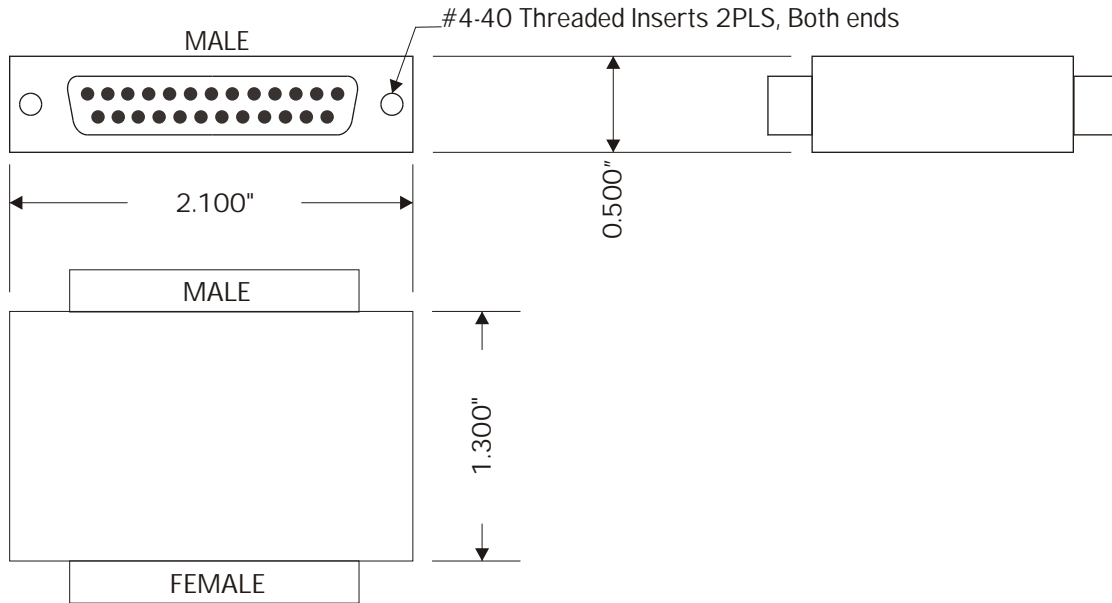


REV	DATE



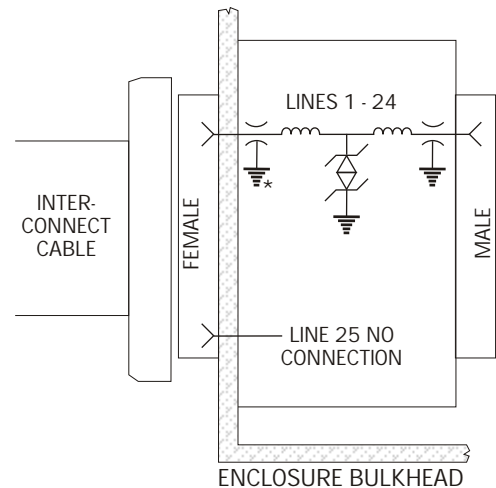
SOLDER CUP VERSIONS AVAILABLE

OUTLINE DRAWING

SIGNAL TYPES: TELEPHONE PAIRS  
 CLIPPING VOLTAGE: +/- 150 V  
 SURGE CURRENT: 10 A @ 10 μs  
 8.5 A @ 5 ns

ATTENUATION		
Frequency	Minimum	Maximum
DC - 10 KHz		0.1 dB
1 KHz	10 dB	
10 MHz	40 dB	
50 MHz	70 dB	
100MHz to 1GHz	70 dB	

SPECIFICATIONS



\*CHASSIS GROUND

FUNCTIONAL DIAGRAM