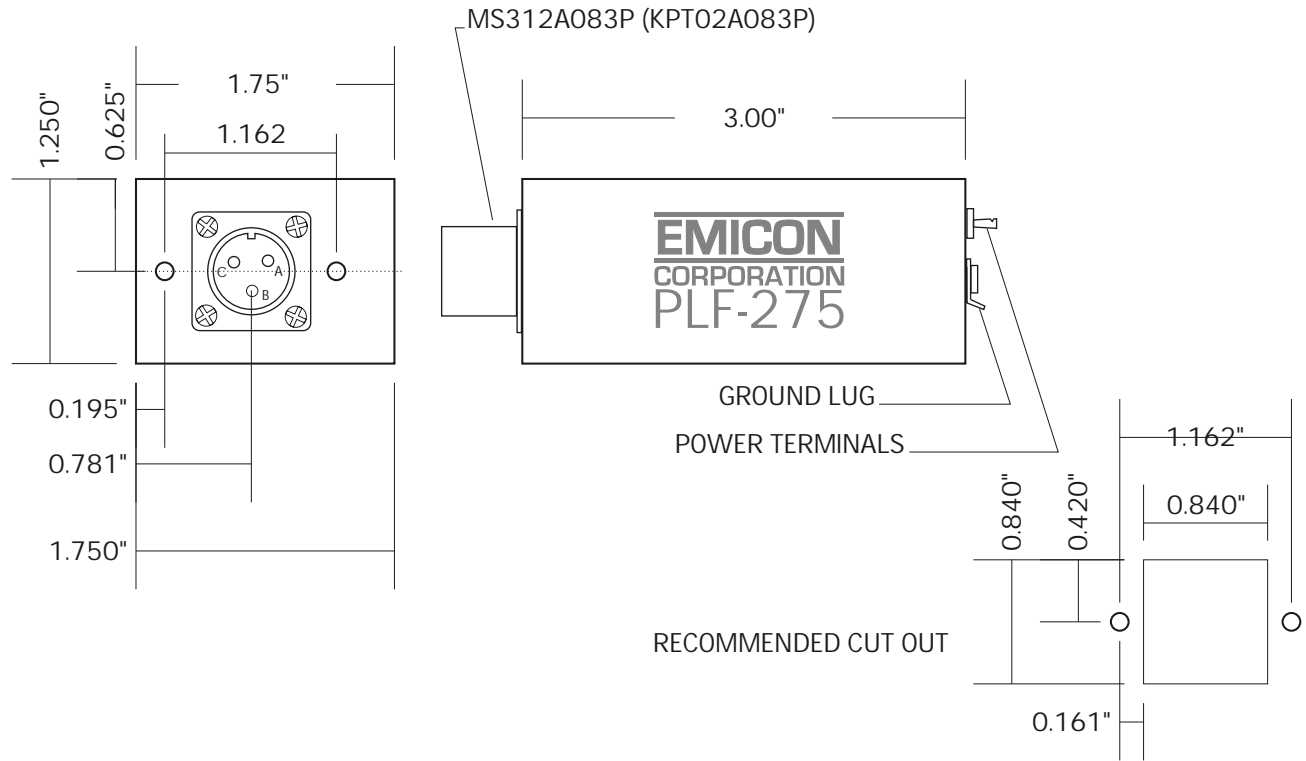


PLF-275

HIGH ATTENUATION POWER ENTRY MODULE

REV	DATE



OUTLINE DRAWING

EMICON P/N: PLF-275

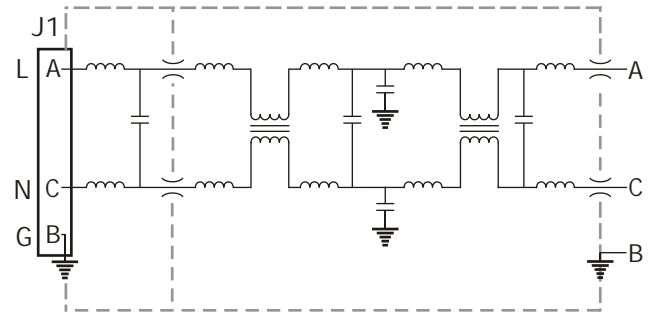
Line Current: 5 Amps

Line Voltage: 110/220 VAC

Leakage Current: 1 mA @ 110 V_{AC}
2 mA @ 220 V_{AC}

ATTENUATION	
FREQUENCY	TYPICAL/MINIMUM
100 KHz	45 dB TYP.
200 KHz	55 dB TYP.
500 KHz	65 dB TYP.
1-5 Mhz	75 dB MIN.
>5 Mhz - 1 GHz	80 dB MIN.

SPECIFICATIONS



FUNCTIONAL DIAGRAM