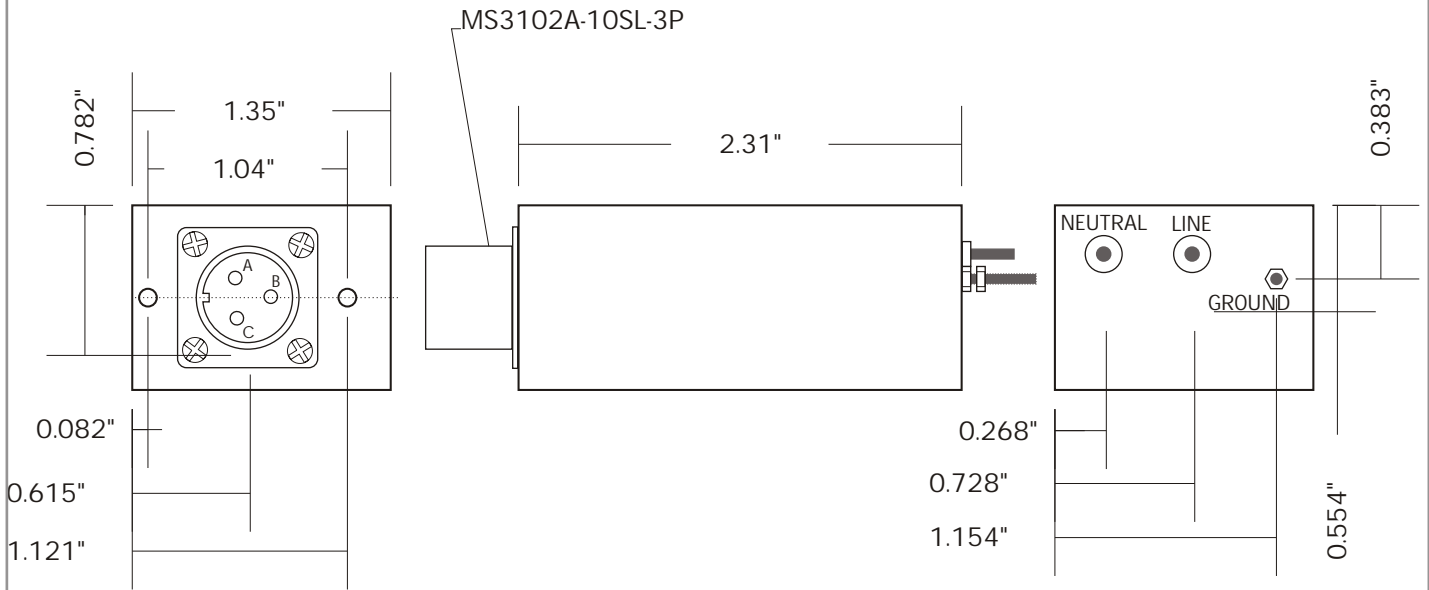


PLF-274

HIGH ATTENUATION POWER ENTRY MODULE

REV	DATE	DESCRIPTION
A	01/09/07	Connector Orientation

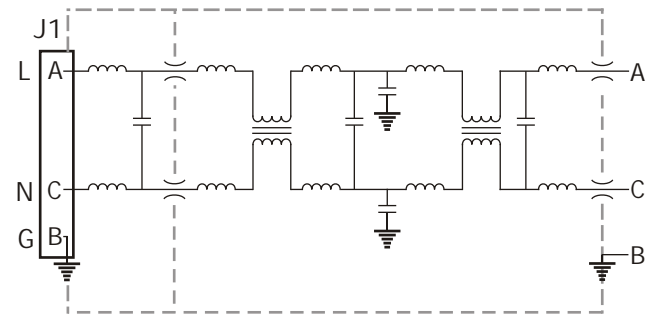


OUTLINE DRAWING

Line Current: 5 Amps
 Line Voltage: 110/220 VAC
 Leakage Current: 1 mA @ 110 V_{AC}
 2 mA @ 220 V_{AC}

ATTENUATION	
FREQUENCY	TYPICAL/MINIMUM
50 KHz	25 dB TYP.
100 KHz	55 dB TYP.
500 KHz	65 dB TYP.
1-5 Mhz	75 dB MIN.
>5 Mhz - 1 GHz	80 dB MIN.

SPECIFICATIONS



FUNCTIONAL DIAGRAM