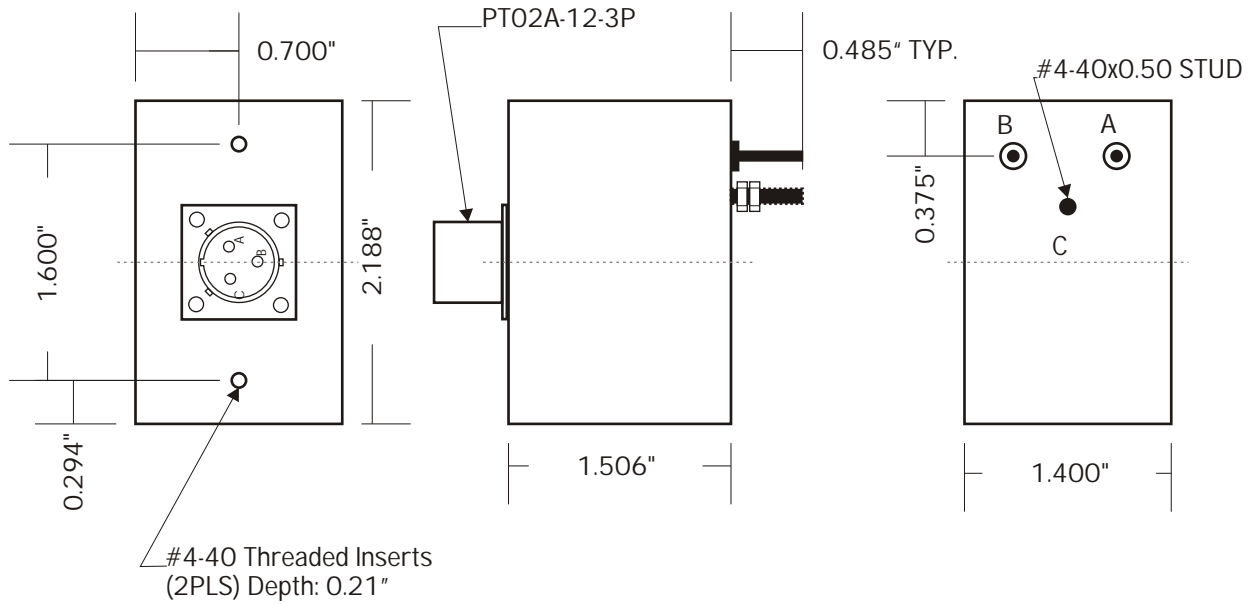


PLF-273

HIGH ATTENUATION POWER ENTRY MODULE

REV	DATE
A	4/14/05
B	4/19/05



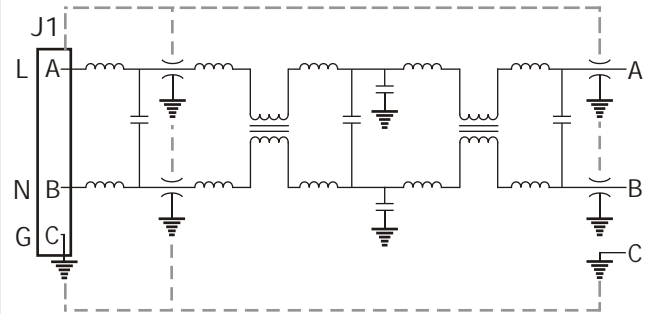
TOLERANCE: .XXX = +/- .010

OUTLINE DRAWING

EMICON P/N:	PLF-273
Line Current:	3 Amps
Line Voltage:	110/220 VAC
Leakage Current:	3 mA Max. @ 220 Vac., 50Hz
Line Frequency:	50-400Hz

ATTENUATION		
FREQUENCY	TYPICAL	MINIMUM
50 KHz	50 dB	44 dB
75 KHz	61 dB	55 dB
150 KHz	80 dB	72 dB
300 KHz	>85 dB	80 dB
1 Mhz	>95 dB	95 dB
500 Mhz	>90 dB	90 dB
1 GHz	>80 dB	85 dB

SPECIFICATIONS



FUNCTIONAL DIAGRAM