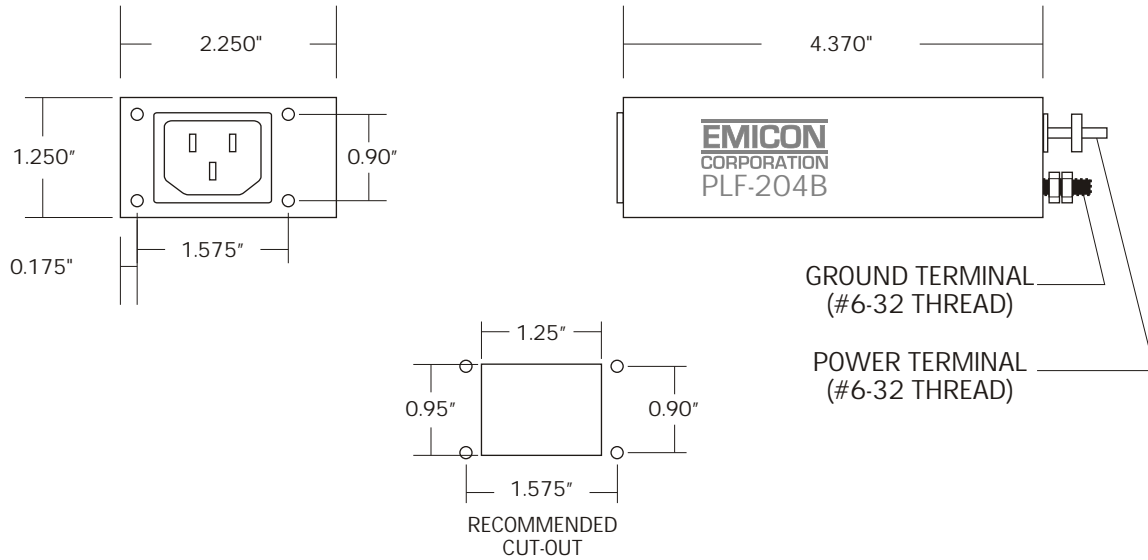


PLF-204B

HIGH ATTENUATION POWER ENTRY MODULE

REV	DATE

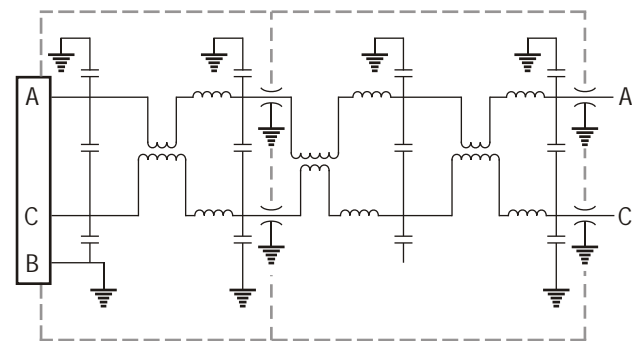


OUTLINE DRAWING

EMICON P/N: PLF-204B
 Line Current: 3 Amps
 Line Voltage: 110/220 V_{AC}
 Leakage Current: 5 mA @ 115 V_{AC}
 10 mA @ 220 V_{AC}
 Line Frequency: DC - 63 Hz

MINIMUM ATTENUATION		
Frequency	Common Mode	Single Ended
32 KHz	60 dB	60 dB
50 KHz	78 dB	78 dB
100 KHz	87dB	87dB
1MHz	87dB	87dB
10 MHz	87dB	87dB
100 MHz	87dB	87dB

SPECIFICATIONS



FUNCTIONAL DIAGRAM