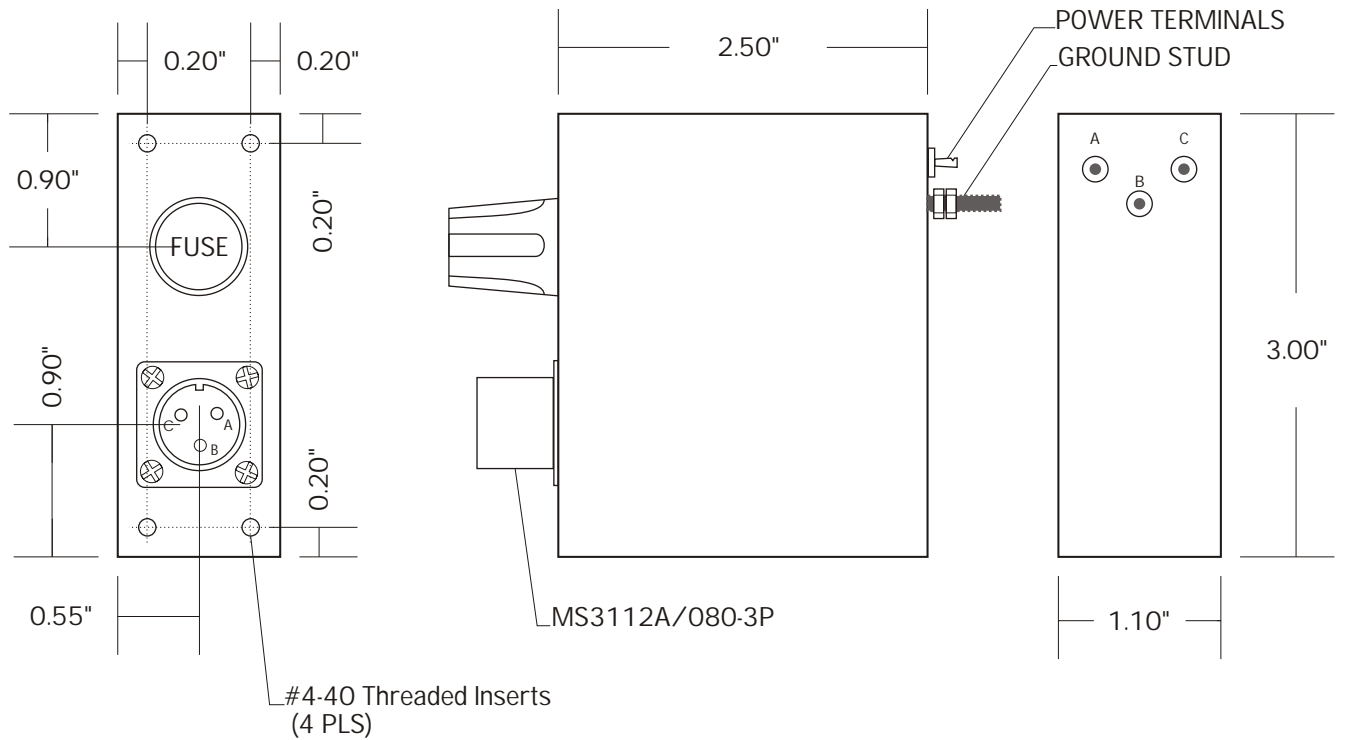


PLF-177

HIGH ATTENUATION POWER ENTRY MODULE

REV	DATE	DESCRIPTION
A	1-23-07	STUD REPLACED A SOLDER LUG

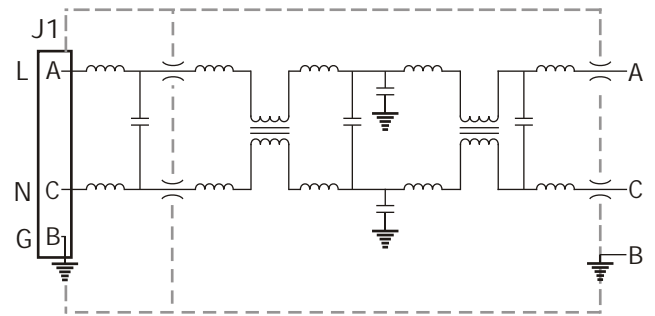


OUTLINE DRAWING

EMICON P/N: PLF-175
 Line Current: 3 Amps
 Line Voltage: 110/220 VAC
 Leakage Current: 10 mA Max. @ 220 V_{AC}, 50Hz
 Line Frequency: 50-400Hz

ATTENUATION		
FREQUENCY	TYPICAL	MINIMUM
50 KHz	50 dB	44 dB
75 KHz	61 dB	55 dB
150 KHz	80 dB	72 dB
300 KHz	>85 dB	80 dB
1 Mhz	>95 dB	95 dB
500 Mhz	>90 dB	90 dB
1 GHz	>80 dB	85 dB

SPECIFICATIONS



FUNCTIONAL DIAGRAM