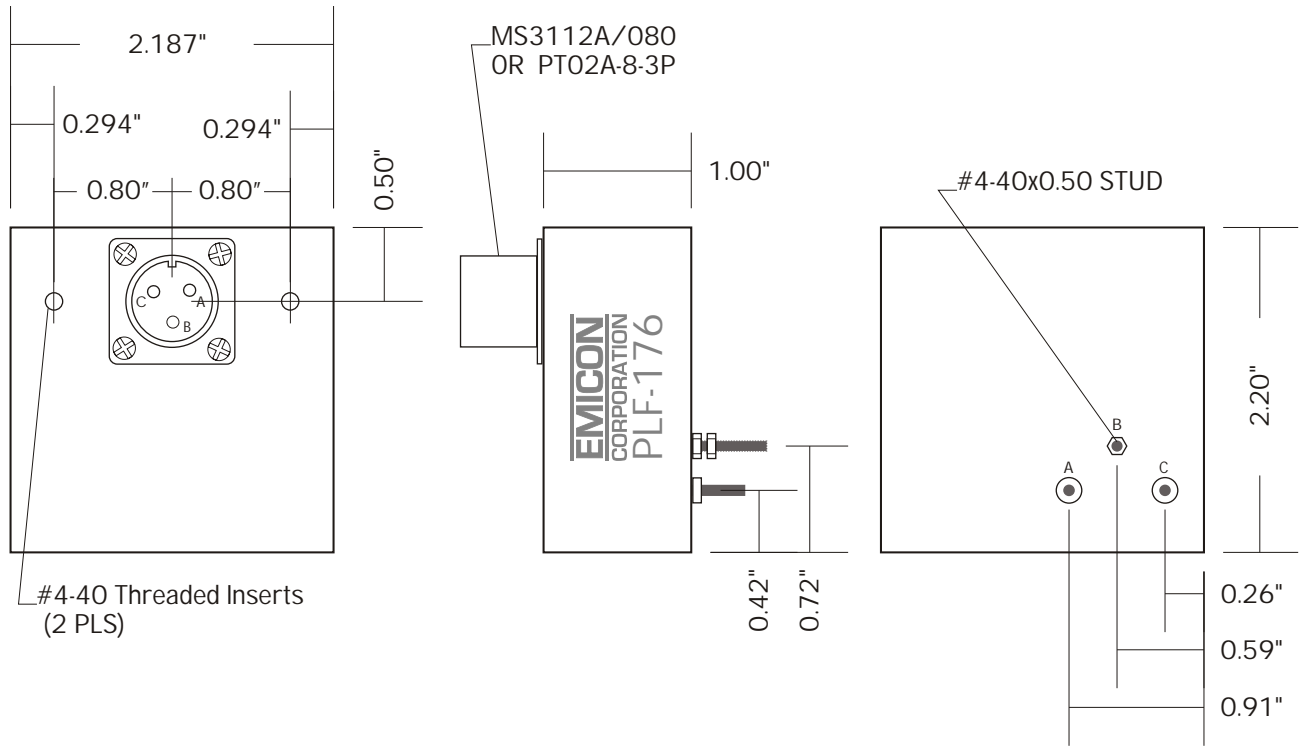


PLF-176

HIGH PERFORMANCE EMI FILTER FOR TEMPEs APPLICATIONS

REV	DATE



OUTLINE DRAWING

EMICON P/N: PLF-176

Line Current: 3 Amps

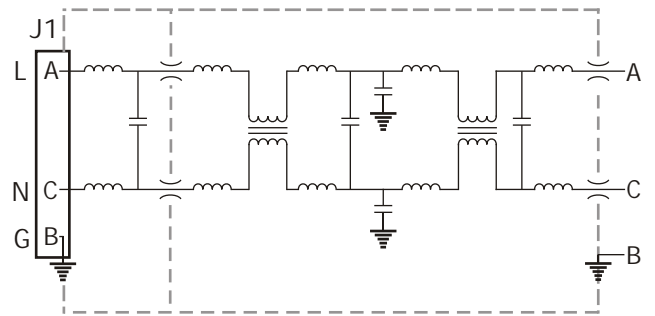
Line Voltage: 110/220 VAC

Leakage Current: 10 mA Max. @
220 V_{AC} 50Hz

Line Frequency: 50-400Hz

ATTENUATION		
FREQUENCY	TYPICAL	MINIMUM
50 KHz	50 dB	44 dB
75 KHz	61 dB	55 dB
150 KHz	80 dB	72 dB
300 KHz	>85 dB	80 dB
1 Mhz	>95 dB	95 dB
500 Mhz	>90 dB	90 dB
1 GHz	>80 dB	85 dB

SPECIFICATIONS



FUNCTIONAL DIAGRAM