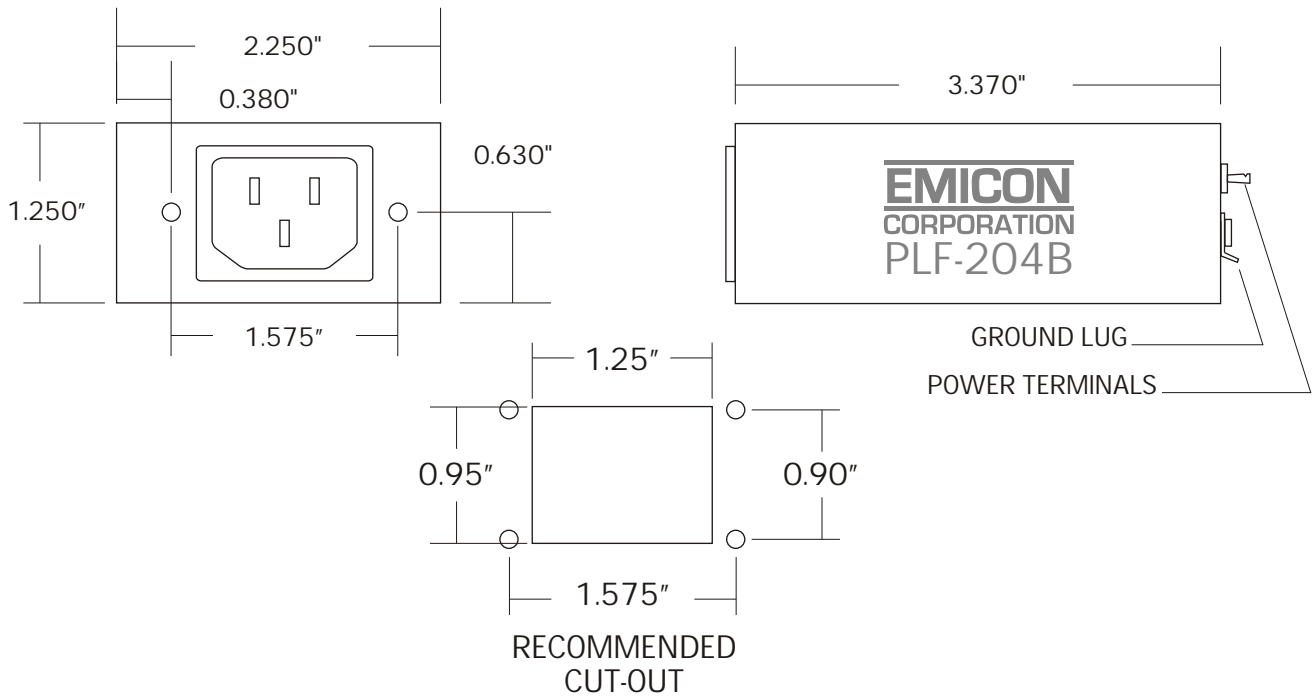


# PLF-158

## LOW LEAKAGE POWER ENTRY MODULE

REV	DATE

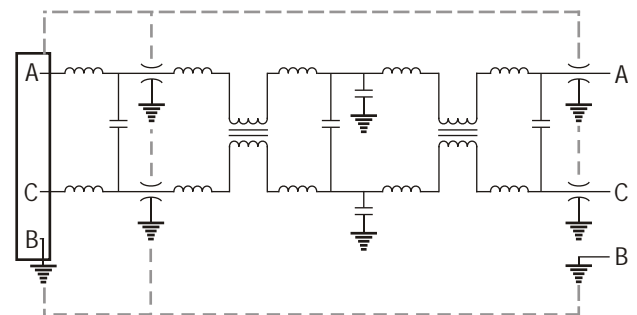


OUTLINE DRAWING

Line Current: 5 Amps  
 Line Voltage: 110/220 V<sub>AC</sub>  
 Leakage Current: 5 mA @ 110 V<sub>AC</sub>  
 10 mA @ 220 V<sub>AC</sub>

ATTENUATION COMMON MODE	
50 KHz	25dB typ.
100 KHz	53dB typ.
200 KHz	76dB typ.
500 KHz to 1GHz	85dB min.

SPECIFICATIONS



FUNCTIONAL DIAGRAM