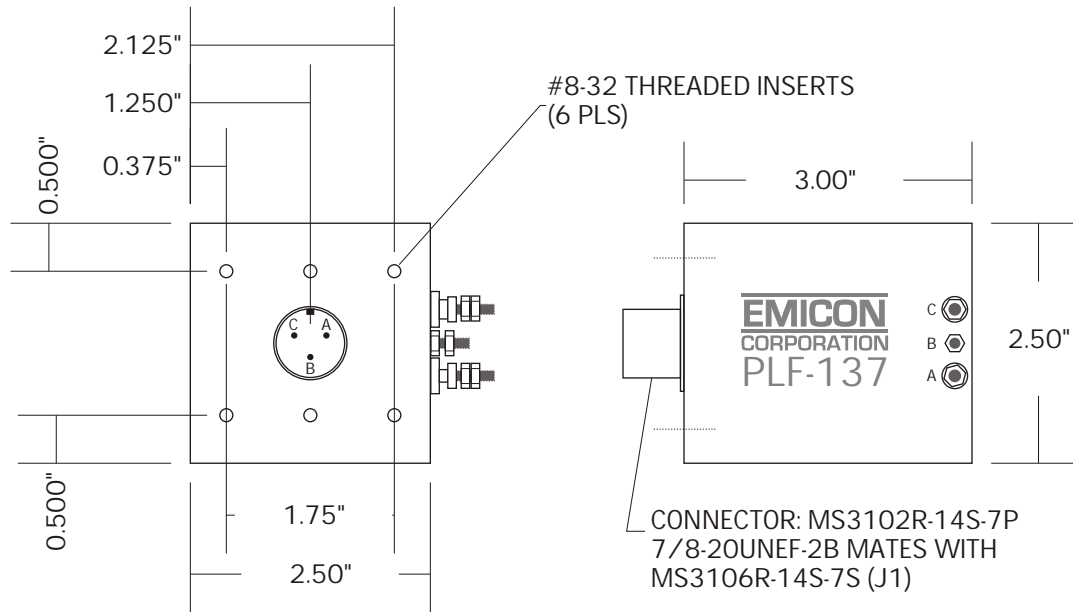


REV	DATE



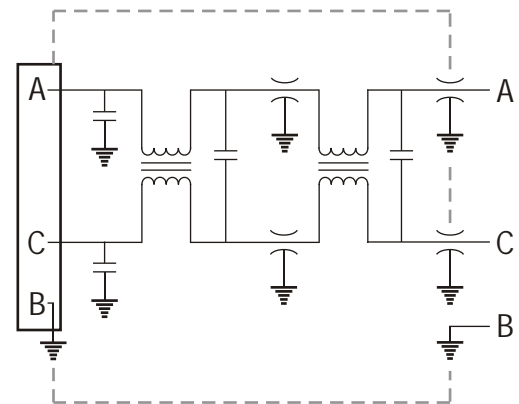
OUTLINE DRAWING

Line Current:	12 Amps
Line Voltage:	110/220 Vac
Line Frequency:	50/60 Hz
Leakage current:	4 mA @ 110 Vac
	8mA @ 220 Vac

ATTENUATION*		
FREQUENCY	COMMON	SINGLE ENDED
100 KHz	45 dB	65 dB
150 KHz	60 dB	75 dB
200 KHz	70 dB	80 dB
300 KHz - 1GHz	80 dB	80 dB

*Minimum Insertion Loss in Accordance with MIL-STD-220

SPECIFICATIONS



FUNCTIONAL DIAGRAM