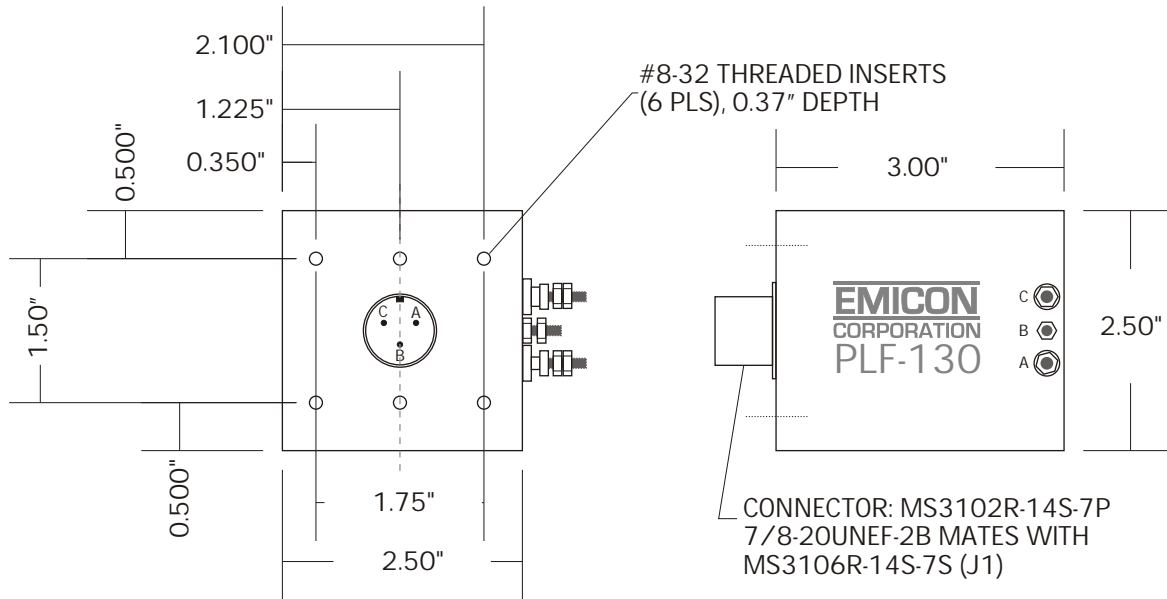


PLF-130, PLF-131, PLF-132, PLF-133

DC INTERNAL POWER DISTRIBUTION

REV	DATE	DEPTH OF MOUNTING SCREWS INDICATED
A	3-26-07	



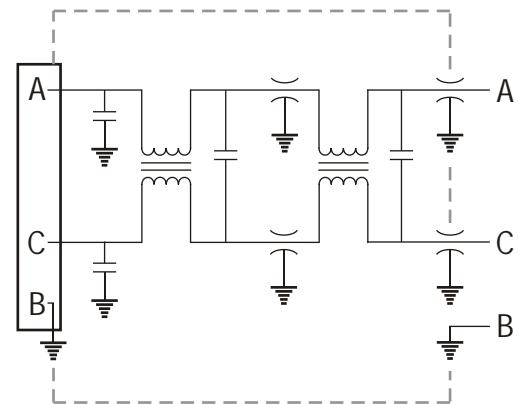
OUTLINE DRAWING

EMICON P/N: PLF-130, PLF-131, PLF-132, PLF-133

PLF-130:	5 Amps
PLF-131:	10 Amps
PLF-132:	15 Amps
PLF-133:	20 Amps
Line Voltage:	110/220 Vac
Line Frequency:	50/60 Hz
Leakage current:	5 mA @ 110 Vac 10mA @ 220 Vac

COMMON MODE ATTENUATION				
P/N \ FREQ.	50KHz	100KHz	200K	500K to 1GHz
PLF-130	50 dB	76 dB	80 dB	80 dB
PLF-131	45 dB	65 dB	80 dB	80 dB
PLF-132	30 dB	55 dB	80 dB	80 dB
PLF-133	22 dB	50 dB	75 dB	80 dB

SPECIFICATIONS



FUNCTIONAL DIAGRAM