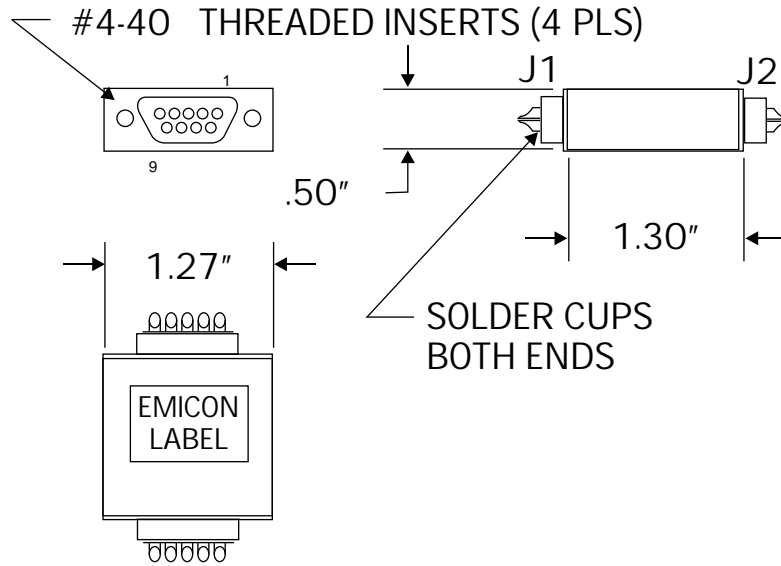


REV	DATE



*Also available with standard "D" connectors

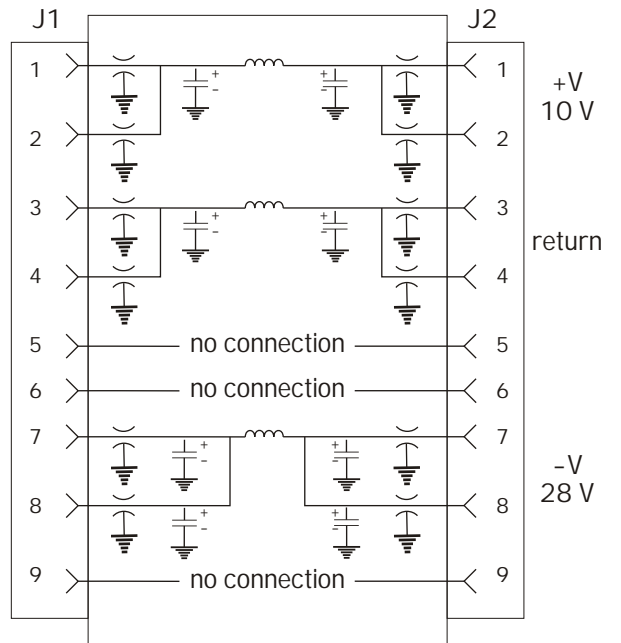
OUTLINE DRAWING

BI-DIRECTIONAL FILTER

DC CURRENT: 600 mA
 DC RESISTANCE: 0.17 OHMS TYP.
 DC VOLTAGE: -28, +10 VDC

Frequency	ATTENUATION TYP.	
	-V	+V, Return
10 KHz	7 dB	16 dB
100 KHz	16 dB	23 dB
1 MHz	71 dB	84 dB
2 MHz	87 dB	93 dB
10 Mhz	90 dB	90 dB
100 Mhz	88 dB	88 dB
1GHz	68 dB	68 dB

SPECIFICATIONS



FUNCTIONAL DIAGRAM