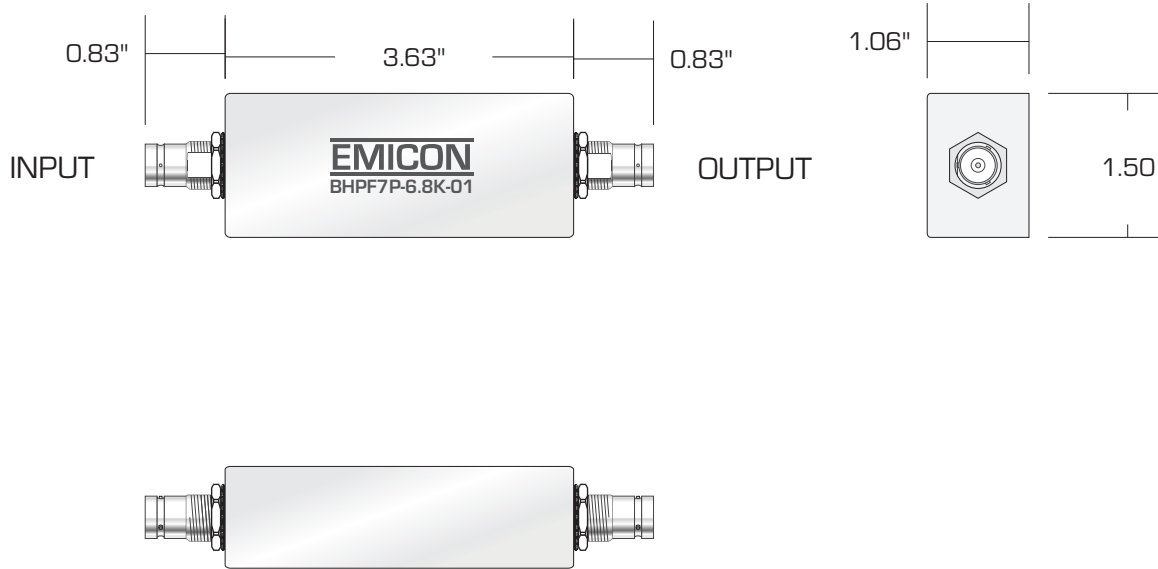


# BLPF7P-6.8K-01

## LOW PASS FILTER

REV	DATE	DESCRIPTION
A	03-31-09	Diagram- Common ground and Connectors shown
B	04-07-14	Dimensions changed from 4"x1.75"x1.5 to 3.63"x1.5"x1.06"



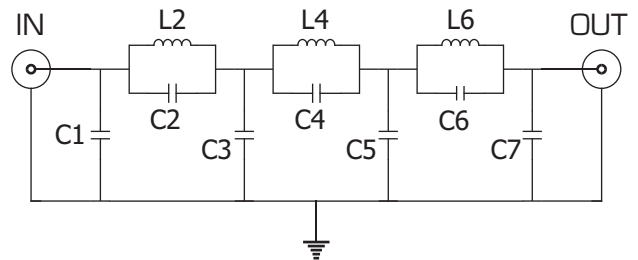
BNC Female Connectors

### OUTLINE DRAWING

Cut-off Frequency:	6.8 KHz
Source/Load Impedance:	50 Ohms
Max Current:	12 A
Linear Signal Current:	3.7 mA

ATTENUATION	
FREQUENCY	TYPICAL
6.46 KHz	1 dB
<b>6.8 KHz</b>	<b>3 dB</b>
7.2 KHz	10 dB
7.55 KHz	20 dB
7.95 KHz	30 dB
8.3 KHz	40 dB
8.6 KHz	50 dB
8.85 KHz	60 dB
9.1 KHz	> 60 dB

### SPECIFICATIONS



### FUNCTIONAL DIAGRAM