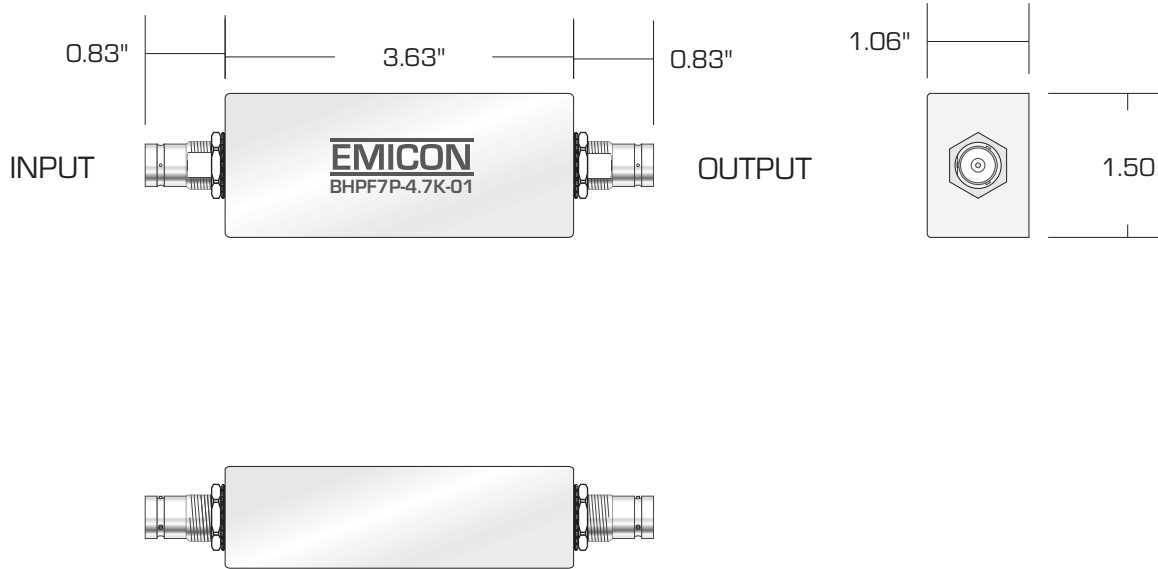


BLPF7P-4.7K-01

LOW PASS FILTER

REV	DATE	DESCRIPTION
A	03-31-09	Diagram- Common ground and Connectors shown
B	04-07-14	Dimensions changed from 4"x1.75"x1.5 to 3.63"x1.5"x1.06"



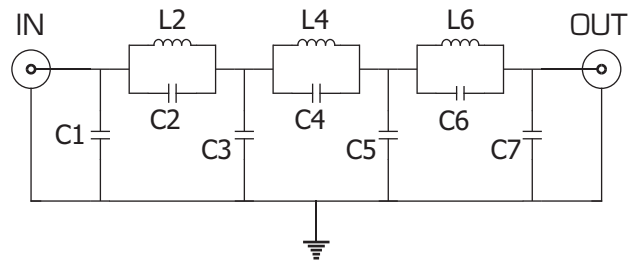
BNC Female Connectors

OUTLINE DRAWING

Cut-off Frequency:	4.7 KHz
Source/Load Impedance:	50 Ohms
Max Current:	12 A
Linear Signal Current:	3 mA

ATTENUATION	
FREQUENCY	TYPICAL
4.47 KHz	1 dB
4.7 KHz	3 dB
5.02 KHz	10 dB
5.26 KHz	20 dB
5.54 KHz	30 dB
5.78 KHz	40 dB
5.98 KHz	50 dB
6.13 KHz	60 dB
6.3 KHz	> 60 dB .

SPECIFICATIONS



FUNCTIONAL DIAGRAM