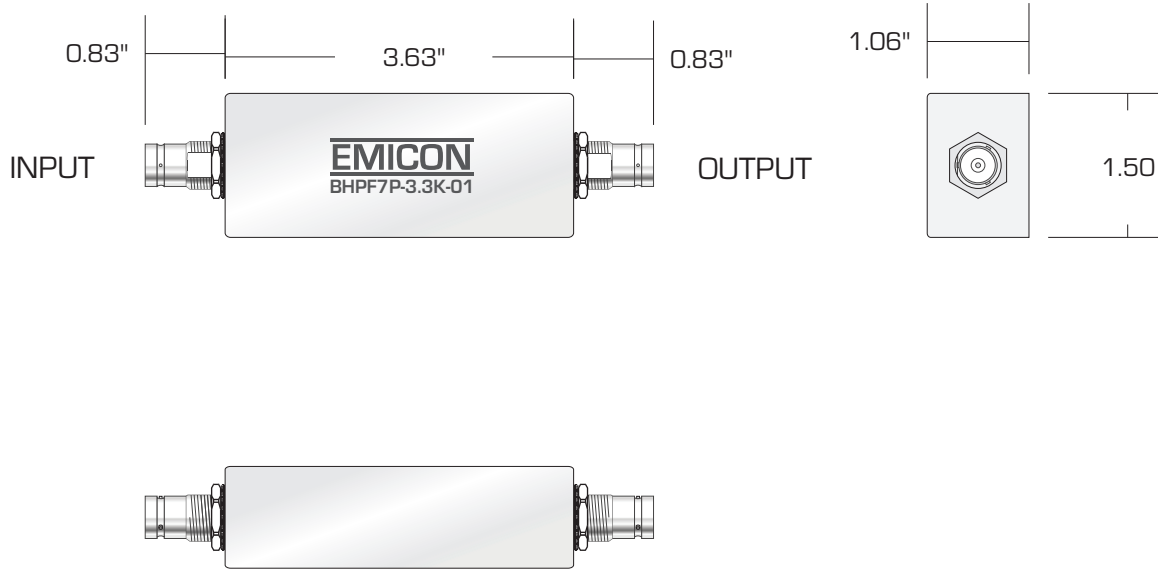


# BLPF7P-3.3K-01

## LOW PASS FILTER

| REV | DATE     | DESCRIPTION  |
|-----|----------|--|
| A   | 03-31-09 | Diagram- Common ground and Connectors shown              |
| B   | 04-07-14 | Dimensions changed from 4"x1.75"x1.5 to 3.63"x1.5"x1.06" |



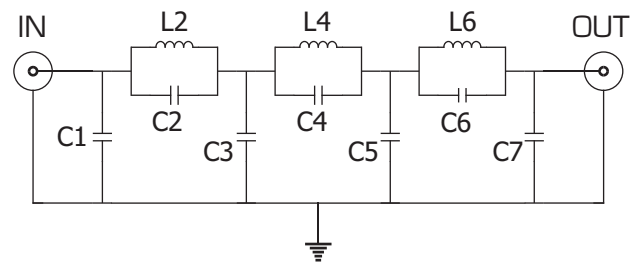
BNC Female Connectors

### OUTLINE DRAWING

|                        |         |
|------------------------|---------|
| Cut-off Frequency:     | 3.3 KHz |
| Source/Load Impedance: | 50 Ohms |
| Max Current:           | 12 A    |
| Linear Signal Current: | 2.6 mA  |

| ATTENUATION    |             |
|----------------|-------------|
| FREQUENCY      | TYPICAL     |
| 3.2 KHz        | 1 dB        |
| <b>3.3 KHz</b> | <b>3 dB</b> |
| 3.6 KHz        | 10 dB       |
| 3.8 KHz        | 20 dB       |
| 4.0 KHz        | 30 dB       |
| 4.2 KHz        | 40 dB       |
| 4.5 KHz        | 60 dB       |
| 5.0 KHz        | > 60 dB     |

### SPECIFICATIONS



### FUNCTIONAL DIAGRAM