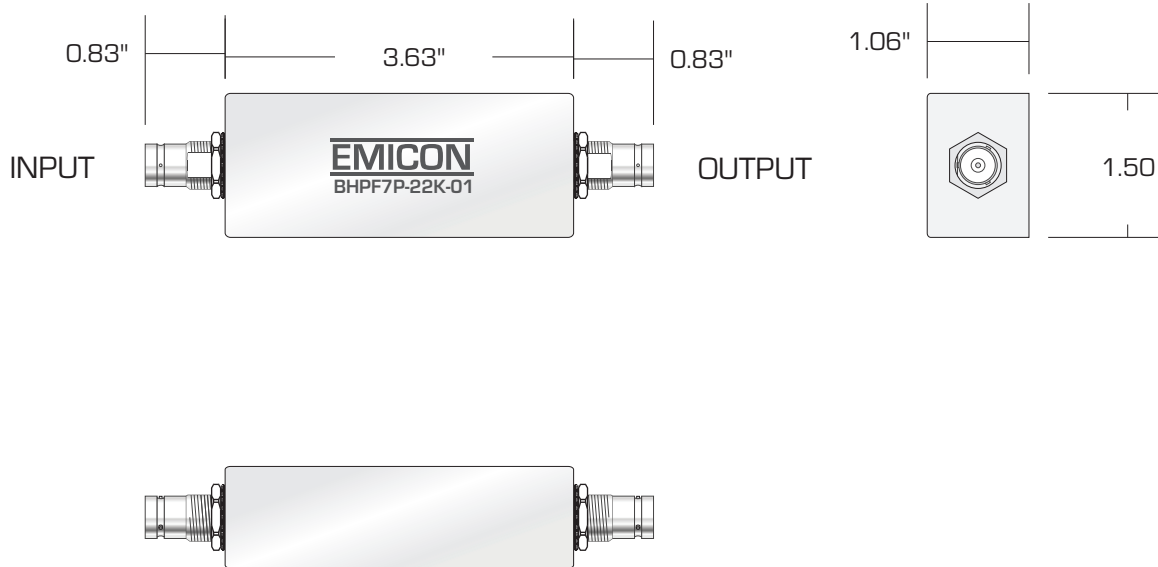


# BLPF7P-22K-01

## LOW PASS FILTER

REV	DATE	DESCRIPTION
A	03-31-09	Diagram- Common ground and Connectors shown
B	04-07-14	Dimensions changed from 4"x1.75"x1.5 to 3.63"x1.5"x1.06"

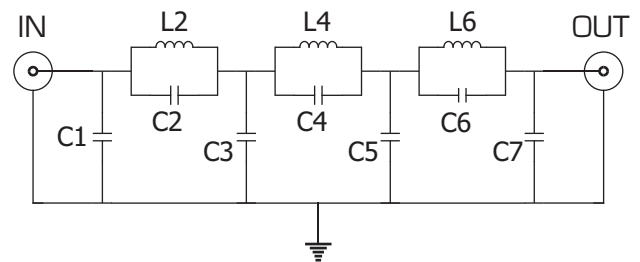


OUTLINE DRAWING

Cut-off Frequency:	22 KHz
Source/Load Impedance:	50 Ohms
Max Current:	12 A
Linear Signal Current:	6.9 mA

ATTENUATION	
FREQUENCY	TYPICAL
20.9 KHz	1 dB
<b>22 KHz</b>	<b>3 dB</b>
23.8 KHz	10 dB
25 KHz	20 dB
26.4 KHz	30 dB
27.6 KHz	40 dB
28.6 KHz	50 dB
29.5 KHz	60 dB
29.9 KHz	> 60 dB .

SPECIFICATIONS



FUNCTIONAL DIAGRAM