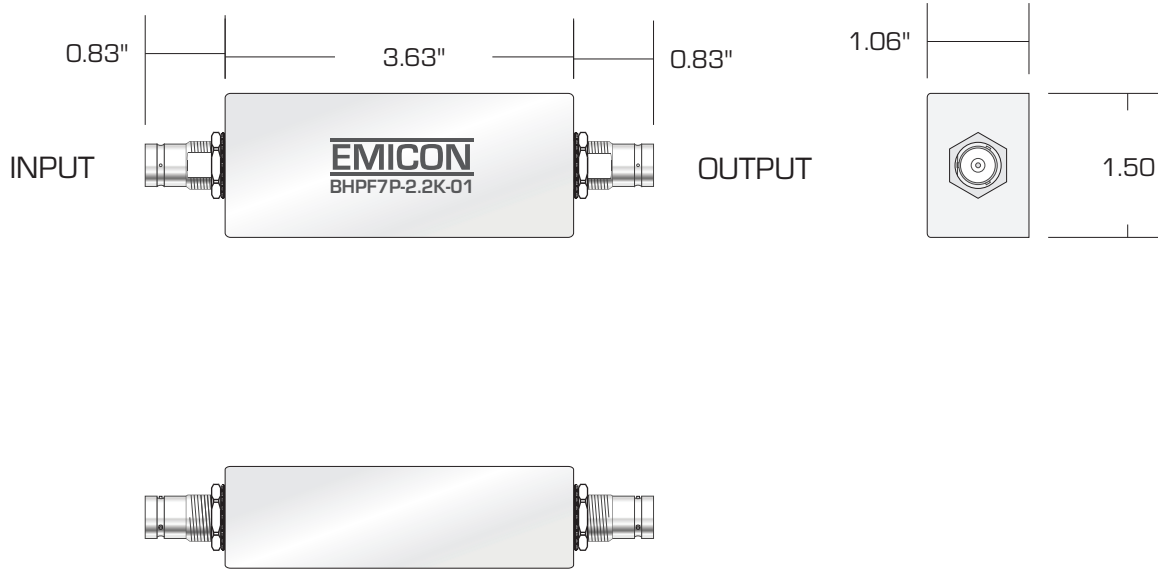


# BLPF7P-2.2K-01

## LOW PASS FILTER

REV	DATE	DESCRIPTION
A	03-31-09	Diagram- Common ground and Connectors shown
B	04-07-14	Dimensions changed from 4"x1.75"x1.5 to 3.63"x1.5"x1.06"



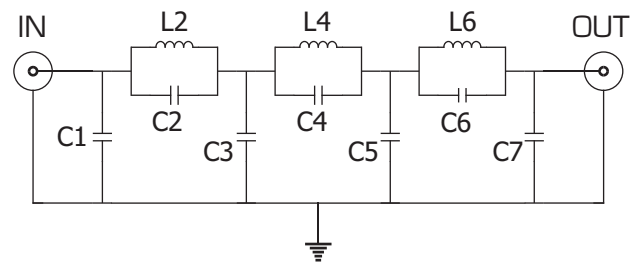
BNC Female Connectors

### OUTLINE DRAWING

Cut-off Frequency:	2.2 KHz
Source/Load Impedance:	50 Ohms
Max Current:	12 A
Linear Signal Current:	2 mA

ATTENUATION	
FREQUENCY	TYPICAL
2.09 KHz	1 dB
<b>2.2 KHz</b>	<b>3 dB</b>
2.33 KHz	10 dB
2.44 KHz	20 dB
2.56 KHz	30 dB
2.68 KHz	40 dB
2.78 KHz	50 dB
2.85 KHz	60 dB
2.89 KHz	> 60 dB .

### SPECIFICATIONS



### FUNCTIONAL DIAGRAM