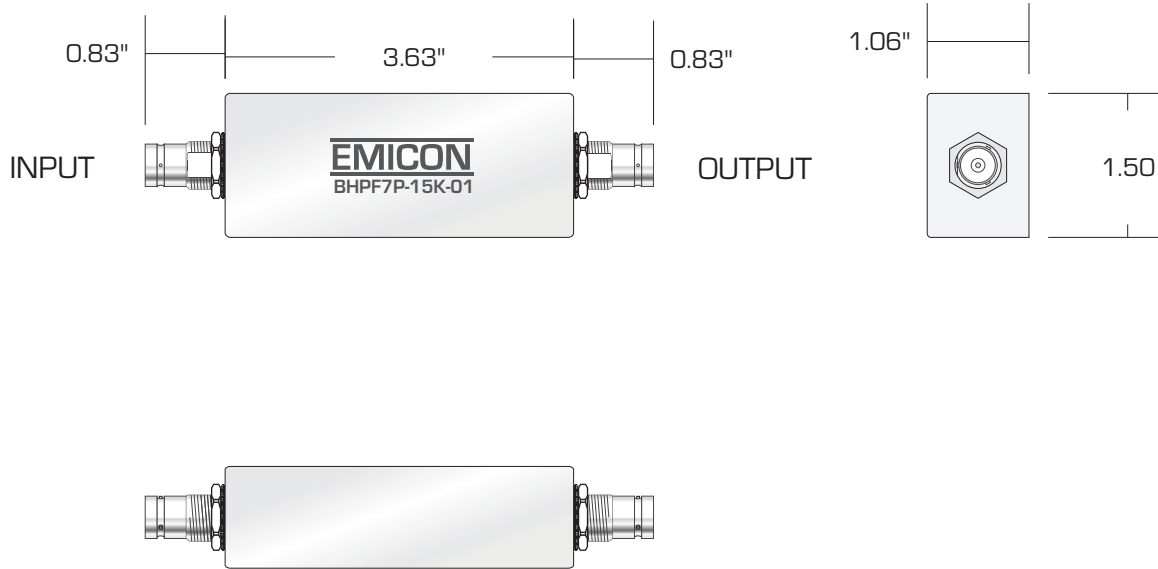


BLPF7P-15K-01

LOW PASS FILTER

REV	DATE	DESCRIPTION
A	03-31-09	Diagram- Common ground and Connectors shown
B	04-07-14	Dimensions changed from 4"x1.75"x1.5 to 3.63"x1.5"x1.06"



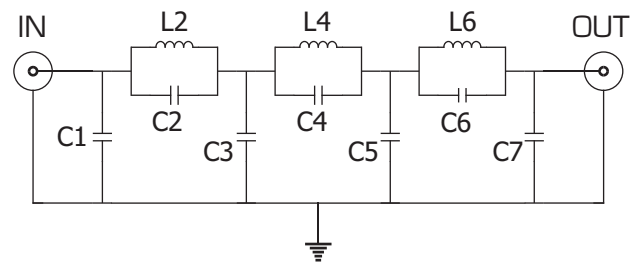
BNC Female Connectors

OUTLINE DRAWING

Cut-off Frequency:	15 KHz
Source/Load Impedance:	50 Ohms
Max Current:	12 A
Linear Signal Current:	5.4 mA

ATTENUATION	
FREQUENCY	TYPICAL
14.25 KHz	1 dB
15 KHz	3 dB
16.1 KHz	10 dB
16.9 KHz	20 dB
17.8 KHz	30 dB
18.8 KHz	40 dB
19.6 KHz	50 dB
20.25 KHz	60 dB
20.6 KHz	> 60 dB

SPECIFICATIONS



FUNCTIONAL DIAGRAM