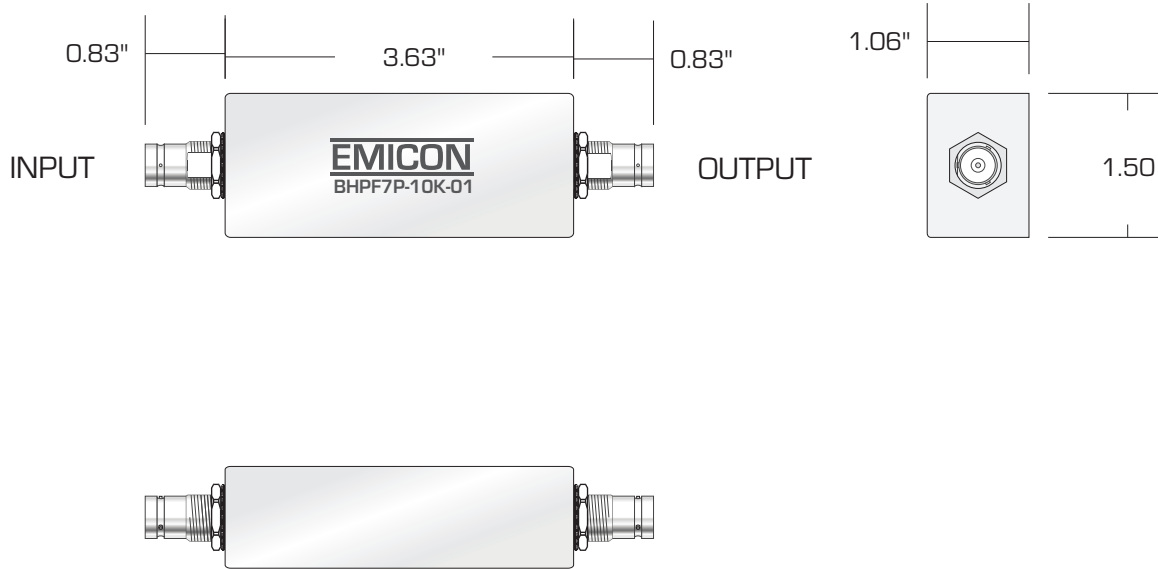


BLPF7P-10K-01

LOW PASS FILTER

REV	DATE	DESCRIPTION
A	03-31-09	Diagram- Common ground and Connectors shown
B	04-07-14	Dimensions changed from 4"x1.75"x1.5 to 3.63"x1.5"x1.06"



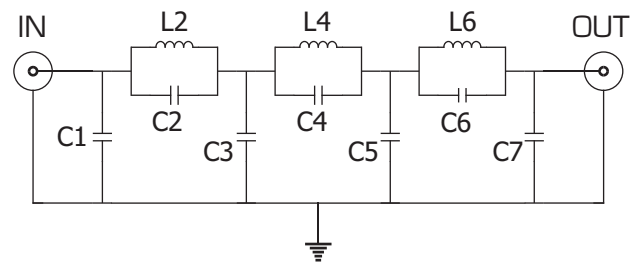
BNC Female Connectors

OUTLINE DRAWING

Cut-off Frequency:	10 KHz
Source/Load Impedance:	50 Ohms
Max Current:	12 A
Linear Signal Current:	4.6 mA

ATTENUATION	
FREQUENCY	TYPICAL
9.5 KHz	1 dB
10 KHz	3 dB
10.65 KHz	10 dB
11.2 KHz	20 dB
11.75 KHz	30 dB
12.35 KHz	40 dB
12.85 KHz	50 dB
13.15 KHz	60 dB
13.35 KHz	> 60 dB .

SPECIFICATIONS



FUNCTIONAL DIAGRAM