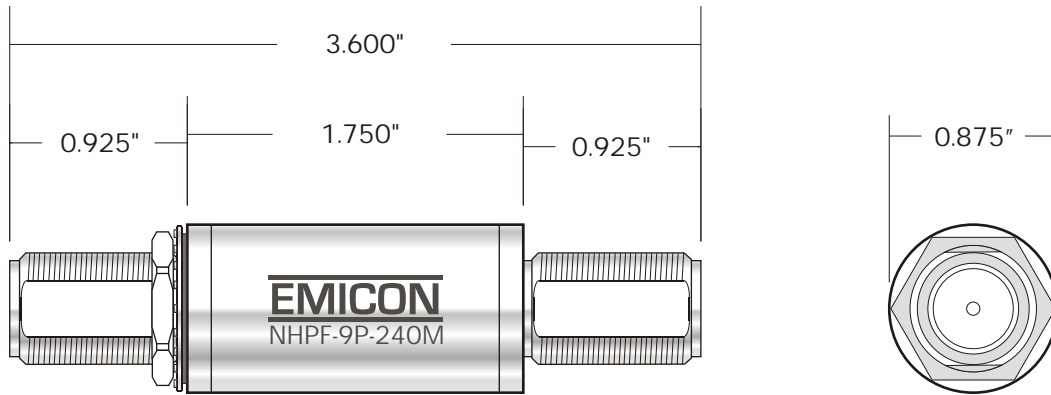


NHPF-9P-240M

HIGH PASS VSAT FILTER TYPE N CONNECTORS

| REV | DATE | DESCRIPTION |
|-----|----------|---|
| A | 03-31-09 | Diagram- Common ground and Connectors shown |



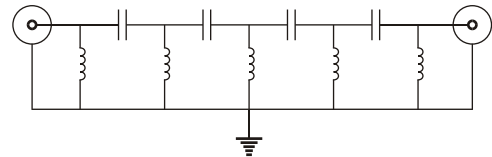
OUTLINE DRAWING

EMICON P/N:

NHPF-9P-240M

| ATTENUATION | |
|-------------|---------|
| FREQUENCY | TYPICAL |
| 0-100 MHz | > 60 dB |
| 150 MHz | 25 dB |
| 200 MHz | 7 dB |
| 240 Mhz | 1 dB |

SPECIFICATIONS



FUNCTIONAL DIAGRAM