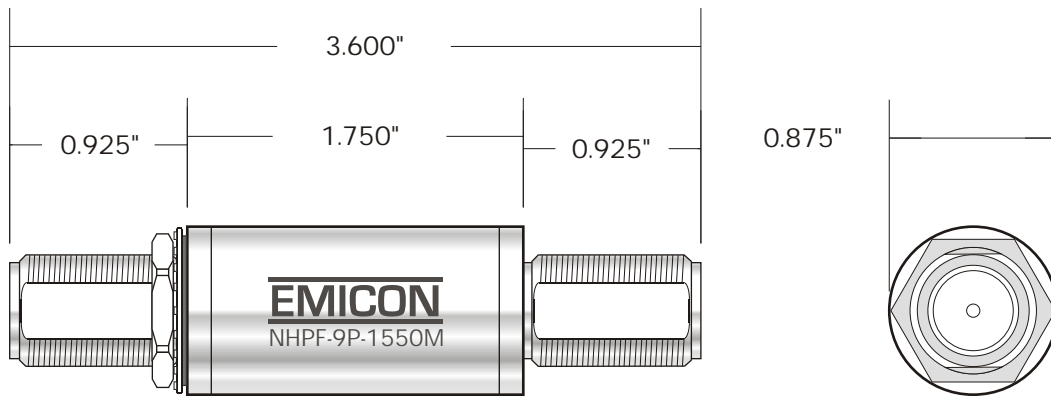


NHPF-9P-1550M

HIGH PASS MARISAT FILTER TYPE N CONNECTORS

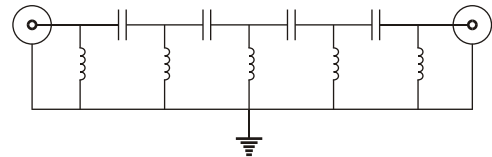
REV	DATE	DESCRIPTION
A	03-31-09	Diagram- Common ground and Connectors shown



OUTLINE DRAWING

EMICON P/N: NHPF-9P-1550M

ATTENUATION	
FREQUENCY	TYPICAL
0-650 MHz	> 60 dB
1000 MHz	30 dB
1500 Mhz	1 dB



SPECIFICATIONS

FUNCTIONAL DIAGRAM