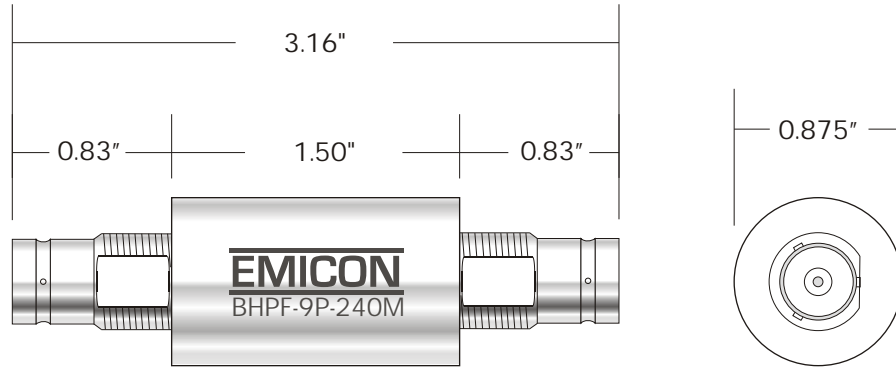


# BHPF-9P-240M

## HIGH PASS VSAT FILTER TYPE BNC CONNECTORS

REV	DATE	DESCRIPTION
A	03-31-09	Diagram- Common ground and Connectors shown

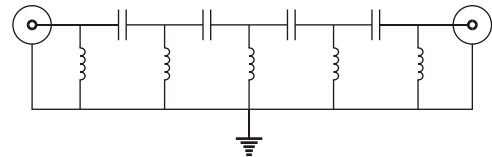


OUTLINE DRAWING

EMICON P/N:

BHPF-9P-240M

ATTENUATION	
FREQUENCY	TYPICAL
0-100 MHz	> 60 dB
150 MHz	25 dB
200 MHz	7 dB
240 Mhz	1 dB



SPECIFICATIONS

FUNCTIONAL DIAGRAM