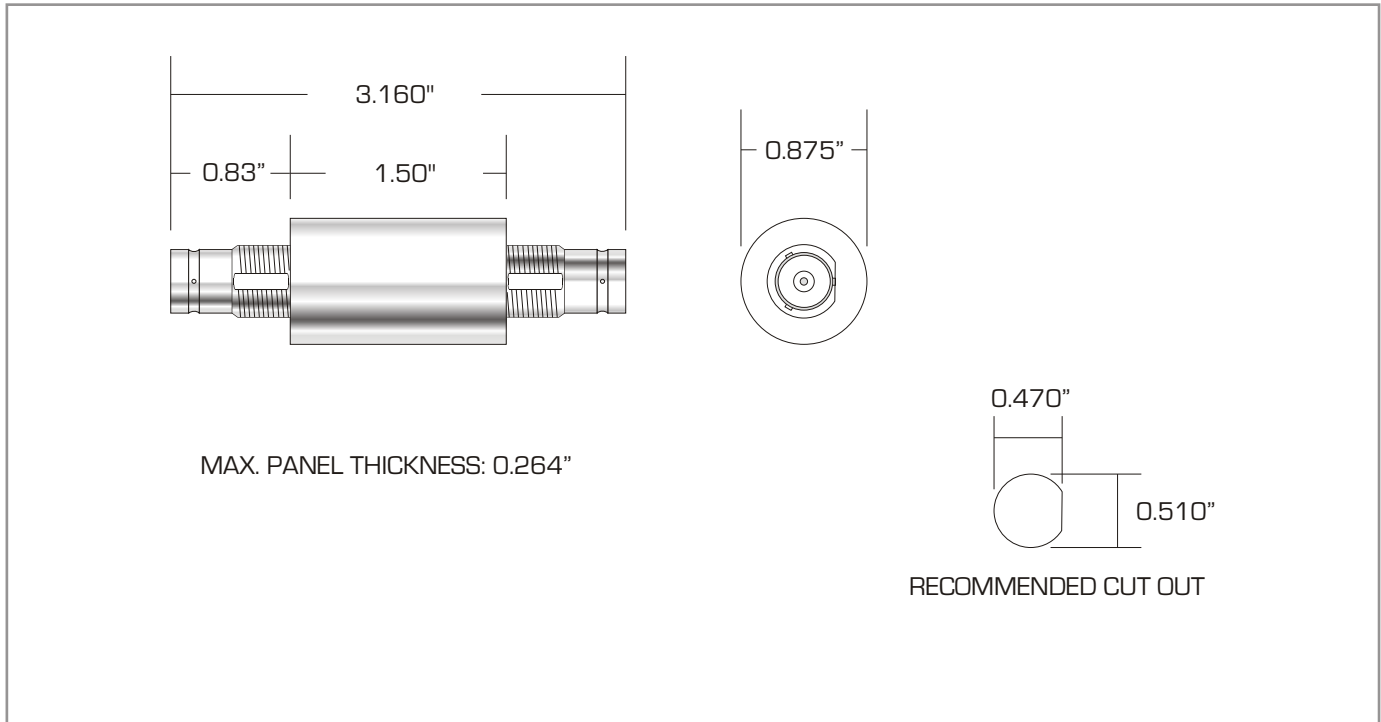


**BNC AUDIO OUTPUT FILTER**

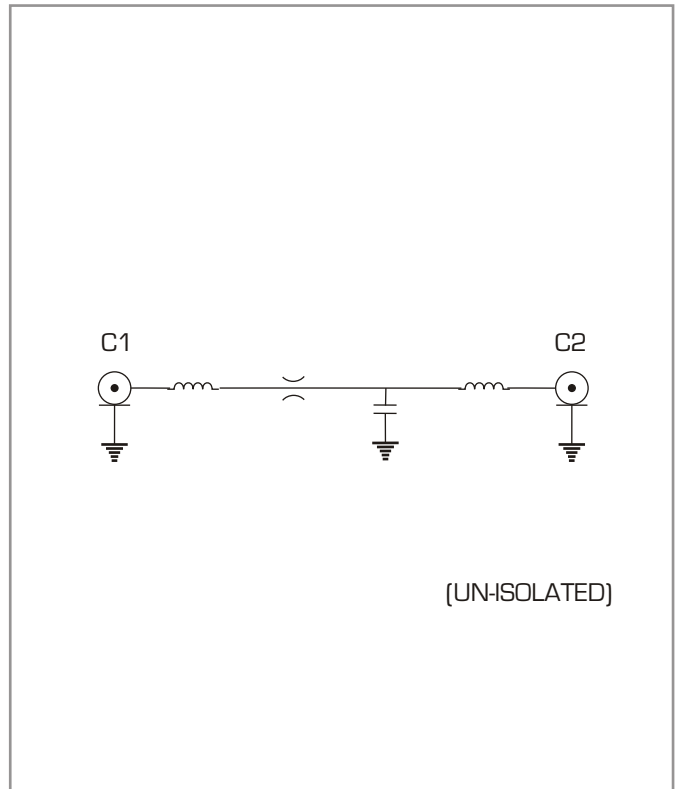


OUTLINE DRAWING

**EMICON P/N:** SFCT-001-01-05  
**PASS BAND:** @ 1dB / 60 Hz MIN.  
**RIPPLE:** +/- 0.5 dB MAX.  
**INSERTION LOSS:** 1 dB MAX  
**SOURCE IMPEDANCE:** 1 OHMS  
**LOAD IMPEDANCE:** 8 OHMS

ATTENUATION	
Frequency	Minimum
200 KHz	5 dB
500 KHz	50 dB
1 MHz	60 dB
2 MHz - 1 GHz	70 dB

SPECIFICATIONS



FUNCTIONAL DIAGRAM