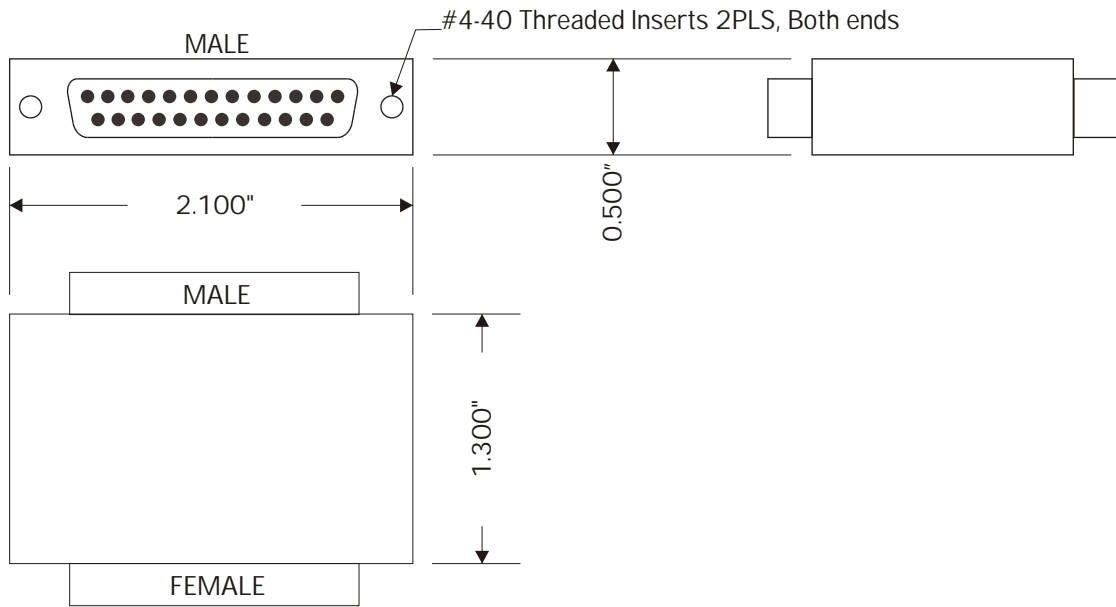


REV	DATE



SOLDER CUP VERSIONS AVAILABLE

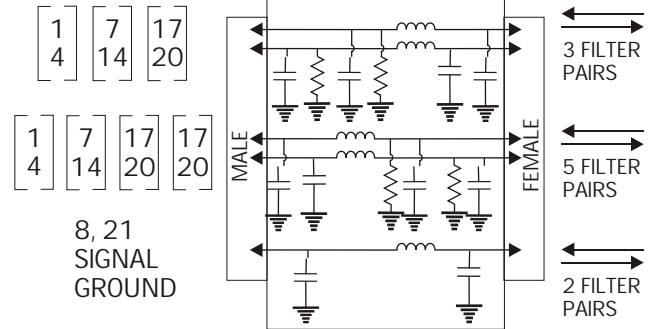
OUTLINE DRAWING

FILTER SIZE: 25 PIN  
 APPLICATION: DESIGNED FOR BALANCED PAIR DIFFERENTIAL APPLICATIONS, RS-422, TTL, OR ECL PAIRS  
 DATA RATES: UP TO 19.2 Kbps  
 INSERTION LOSS: 0.5 dB TYP.  
 OVERSHOOT: 12% MAX.  
 UNDERSHOOT: 5% MAX.  
 SERIES RESISTANCE: 90 OHMS MAX.  
 SHUNT RESISTANCE: 1 K OHMS TO CHASSIS EXCEPT FOR RETURN LINE  
 DRIVING IMPEDANCE: 5 TO 65 OHMS

ATTENUATION*		
*WITH 5 K OHMS LOAD IMPEDANCE ACROSS PAIR		
Frequency	Typical	Minimum
10 KHz	1 dB	
100 KHz	25 dB	
1 MHz	55 dB	65 dB min.
10 MHz	73 dB	65 dB min.
100MHz to 1GHz	69 dB	65 dB min.

SPECIFICATIONS

PIN NUMBERS



NOTE: PINS 9 THROUGH 13, AND 22 THROUGH 25 = NOT CONNECTED

FUNCTIONAL DIAGRAM