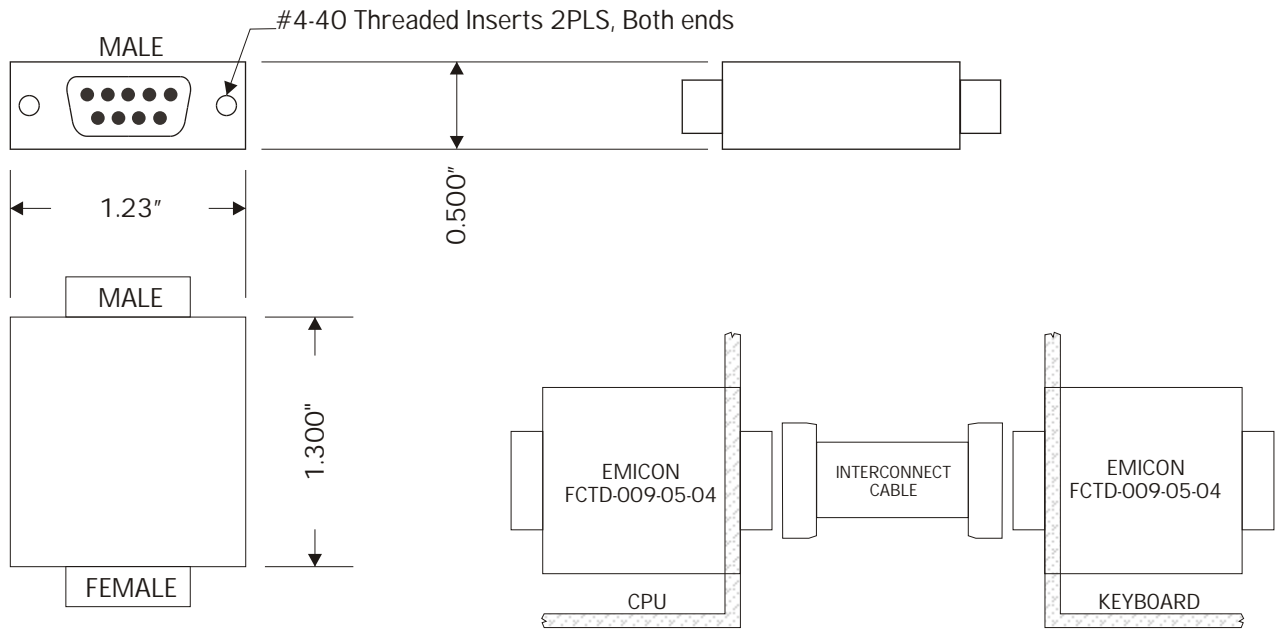


REV	DATE



OUTLINE DRAWING

HIGH SPEED TTL FILTER

APPLICATION: OPEN COLLECTOR TTL
 RISE TIME: 10 μs MAX. 5 μs TYP.
 DATA RATE: UP TO 56Kbps
 OVERSHOOT: 15% MAX
 UNDERSHOOT: 15% MAX
 VOLTAGE: 15 V rms LINE TO PIN 4
 PULL UP RESISTORS: 2K OHMS RECOMMENDED

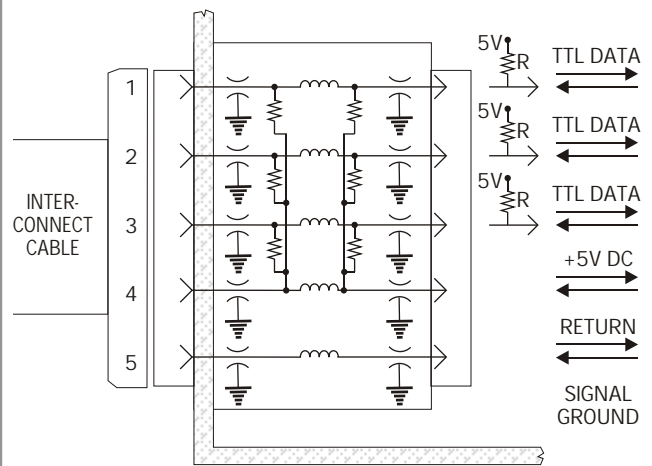
LOW CURRENT POWER SUPPLY FILTER

APPLICATION: +5 V CONTROLINES
 DC CURRENT: 350 mA
 DC RESISTANCE: 0.25 OHMS MAX

	Frequency	Attenuation
HIGH SPEED TTL	10 KHz	1 dB MAX
	100 KHz	25 dB
	1 MHz	65 dB
	5 MHz to 1 GHz	70 dB TYP.
POWER SUPPLY FILTER	10 KHz	10 dB TYP.
	100 KHz	30 dB TYP.
	1MHz	40 dB TYP.
	10MHz	50 dB TYP.
	20 MHz to 1 GHz	55 dB TYP.

SPECIFICATIONS

R = EXTERNAL PULL UP RESISTOR
 VALUES OF 1 K TO 22 K OHMS
 SUGGESTED ON PINS 1, 2, 3



NOTE: PINS 6, 7, 8, & 9
 NOT CONNECTED

FUNCTIONAL DIAGRAM