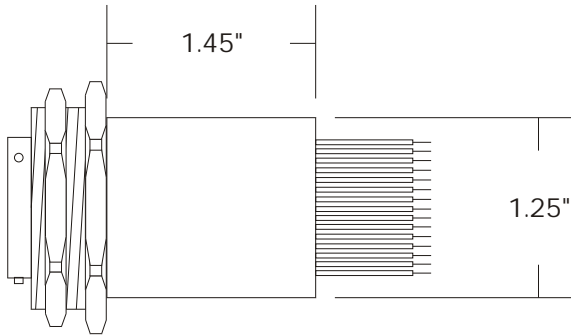


REV	DATE



- NOTES:
 1) WIRE SIZE: #24 AWG
 2) CONNECTOR: MS27474T14F35A

PIN	COLOR
1	WHITE
3	BROWN
6	RED
11	ORANGE
13	YELLOW
18	GREEN
20	BLUE
23	VIOLET
25	GREY
26	WHITE/BLACK
28	WHITE/BROWN
29	WHITE/RED
31	WHITE/ORANGE
32	WHITE/YELLOW
33	WHITE/GREEN
35	WHITE/BLUE
36	WHITE/VIOLET
37	WHITE/GRAY
14(GND)	BLACK

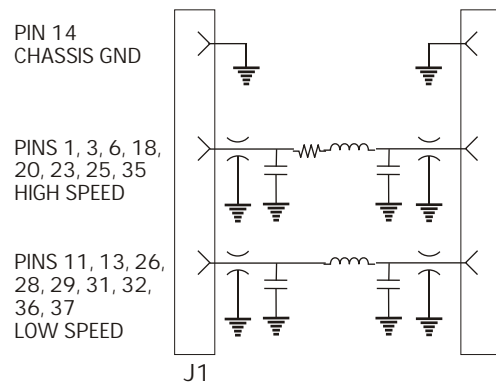
OUTLINE DRAWING

IMPEDANCES

HIGH SPEED INPUT: 50 OHMS
 HIGH SPEED OUTPUT: 5 K OHMS
 LOW SPEED INPUT: 50 - 1 K OHMS
 LOW SPEED OUTPUT: 50 - 10 K OHMS

ATTENUATION		
Frequency	High Speed	Low Speed
25 KHz	1 dB	10 dB
100 KHz	15 dB	20 dB
500 KHz	45 dB	45 dB
2 MHz to 1 GHz	60 dB Min.	65 dB Min.

SPECIFICATIONS



FUNCTIONAL DIAGRAM